

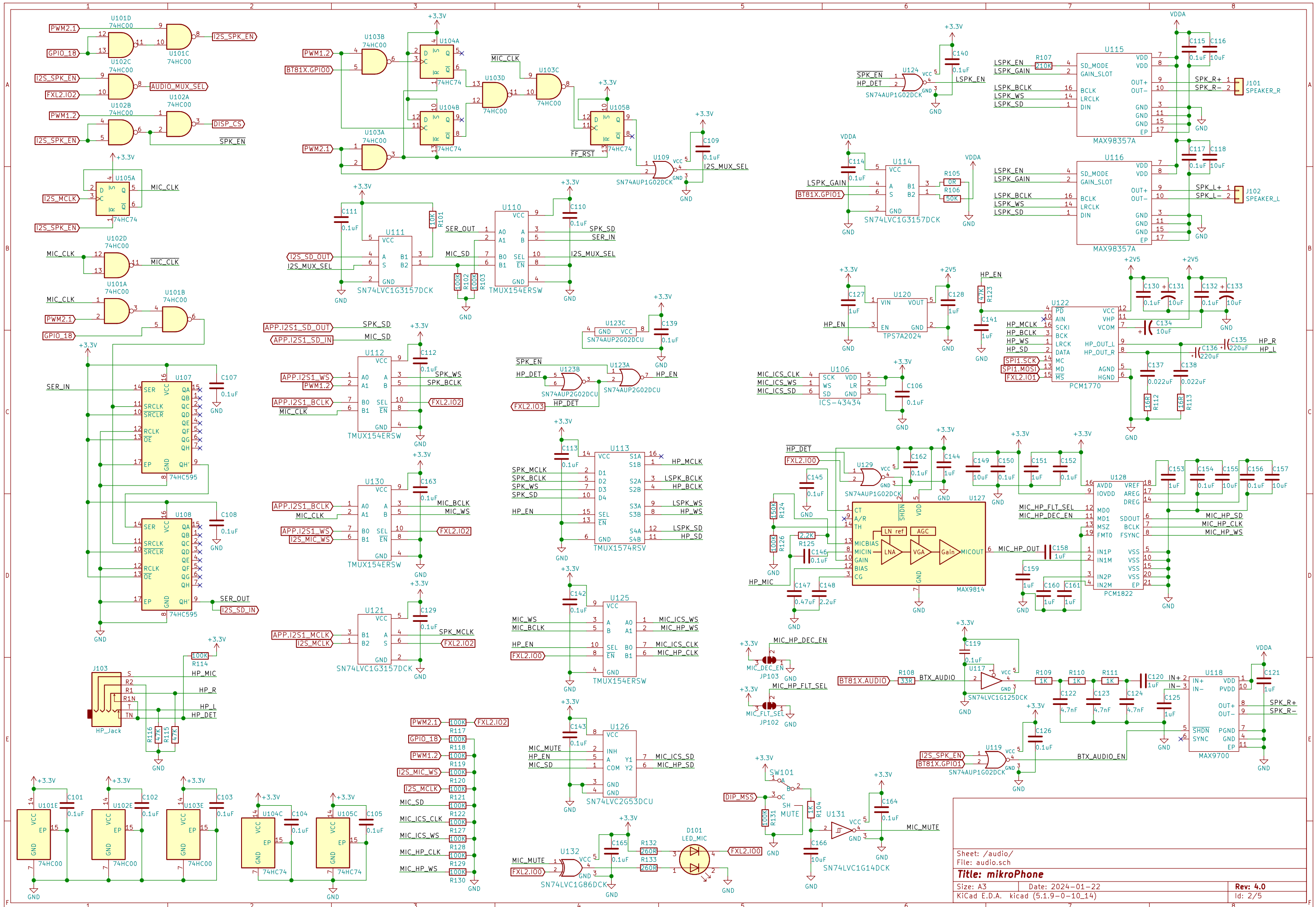
- Sheet: audio
- File: audio.sch
- Sheet: periph
- File: periph.sch
- Sheet: disp
- File: disp.sch
- Sheet: app
- File: app.sch

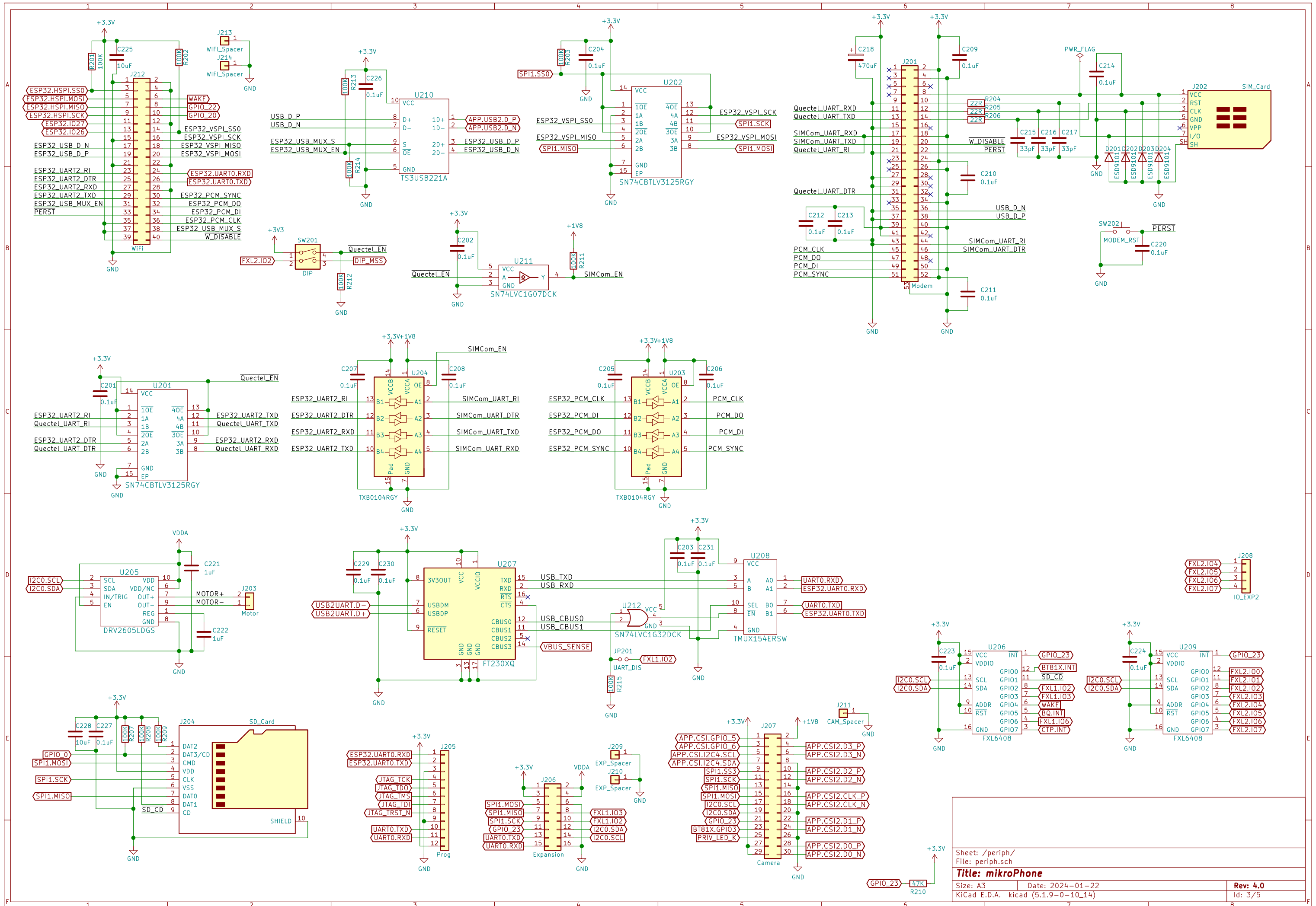
- PSD\_LFALTCLK
- PMU\_OUT0
- PMU\_OUT1

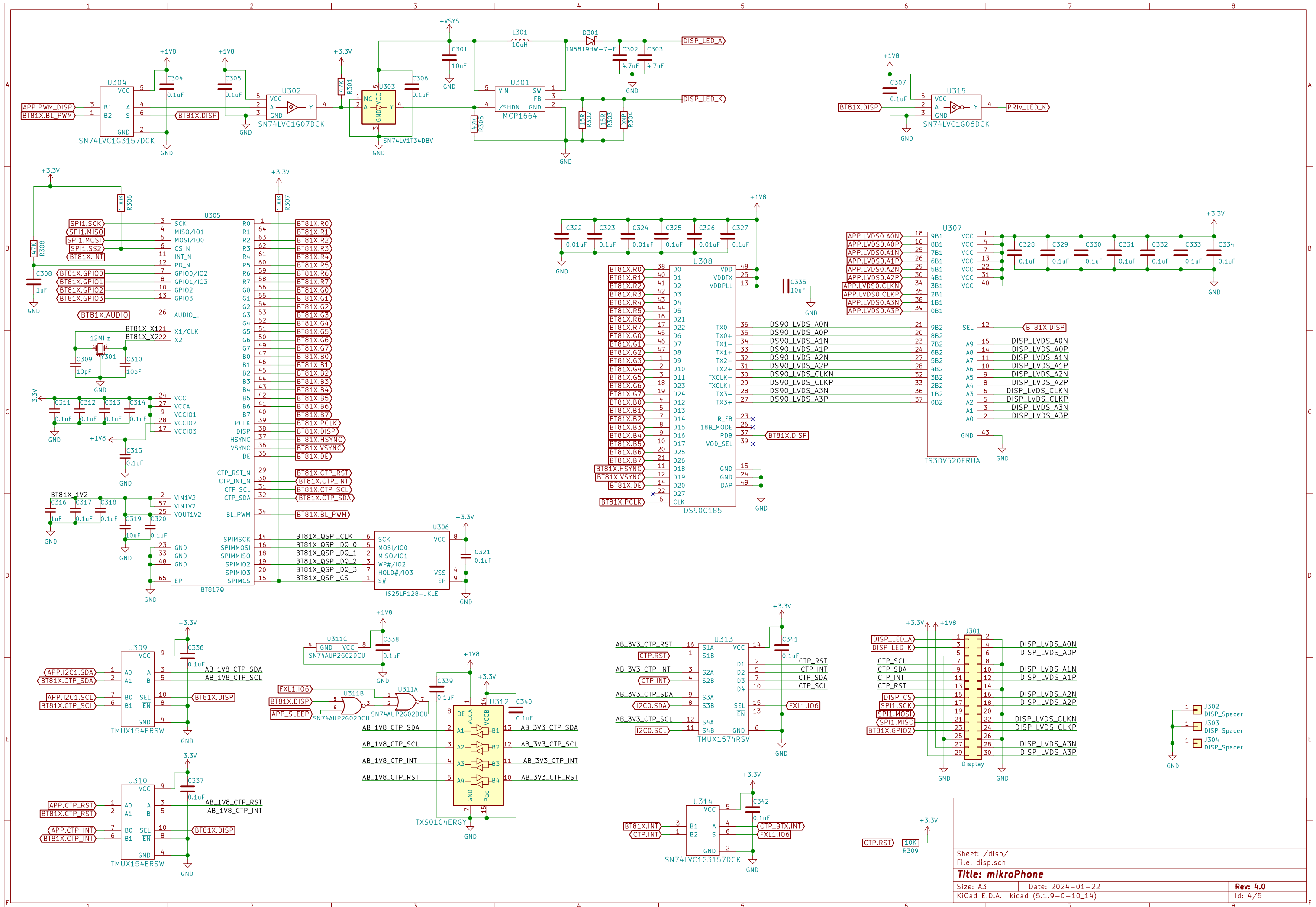
- I2C0.SCL
- I2C0.SDA
- SPI1.MISO
- UART0.TXD
- UART0.RXD

Sheet: /  
 File: mikroPhone.sch  
**Title: mikroPhone**  
 Size: A3 Date: 2024-01-22 Rev: 4.0  
 KiCad E.D.A. kicad (5.1.9-0-10\_14) Id: 1/5

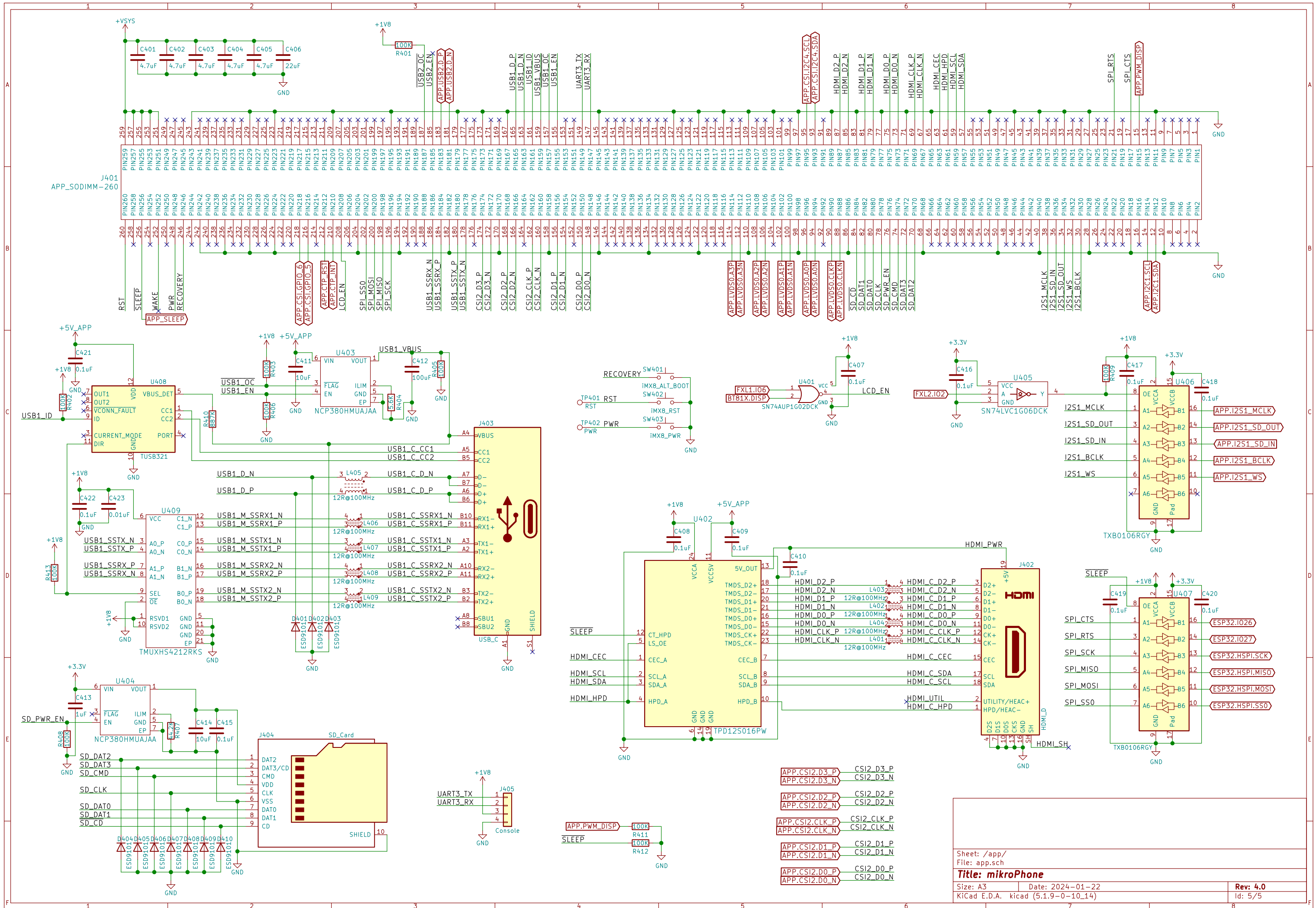








Sheet: /disp/		
File: disp.sch		
<b>Title: mikroPhone</b>		
Size: A3	Date: 2024-01-22	Rev: 4.0
KiCad E.D.A. kicad (5.1.9-0-10.14)		Id: 4/5



Sheet: /app/		File: app.sch	
<b>Title: mikroPhone</b>			
Size: A3	Date: 2024-01-22	<b>Rev: 4.0</b>	
KiCad E.D.A. kicad (5.1.9-0-10.14)		Id: 5/5	

- APP.CS12.D3\_P CS12\_D3\_P
- APP.CS12.D3\_N CS12\_D3\_N
- APP.CS12.D2\_P CS12\_D2\_P
- APP.CS12.D2\_N CS12\_D2\_N
- APP.CS12.CLK\_P CS12\_CLK\_P
- APP.CS12.CLK\_N CS12\_CLK\_N
- APP.CS12.D1\_P CS12\_D1\_P
- APP.CS12.D1\_N CS12\_D1\_N
- APP.CS12.D0\_P CS12\_D0\_P
- APP.CS12.D0\_N CS12\_D0\_N

- APP.PWM\_DISP 100K R411
- SLEEP 100K R412

- SPI\_CTS 16 ESP32.IO26
- SPI\_RTS 14 ESP32.IO27
- SPI\_SCK 13 ESP32.HSPI.SCK
- SPI\_MISO 12 ESP32.HSPI.MISO
- SPI\_MOSI 11 ESP32.HSPI.MOSI
- SPI\_SSO 10 ESP32.HSPI.SSO

- I2S1\_MCLK 16 APP.I2S1\_MCLK
- I2S1\_SD\_OUT 14 APP.I2S1\_SD\_OUT
- I2S1\_SD\_IN 13 APP.I2S1\_SD\_IN
- I2S1\_BCLK 12 APP.I2S1\_BCLK
- I2S1\_WS 11 APP.I2S1\_WS